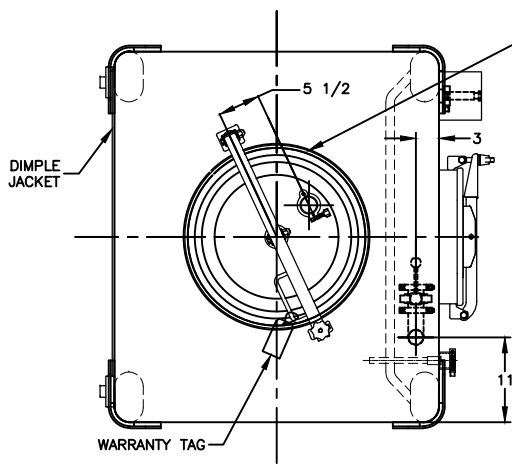
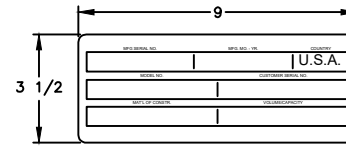


ITEM	P.N.	DESCRIPTION	QTY
------	------	-------------	-----

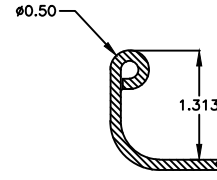


22 1/2" NOM. DIA. FORMED DRUM OPENING WITH SS CONE SHAPED SANITARY DRUM LID, WHITE FDA COMPLIANT FULL WRAP LID GASKET, 2" SS SANITARY FERRULE, CLAMP, CAP, & GASKET.

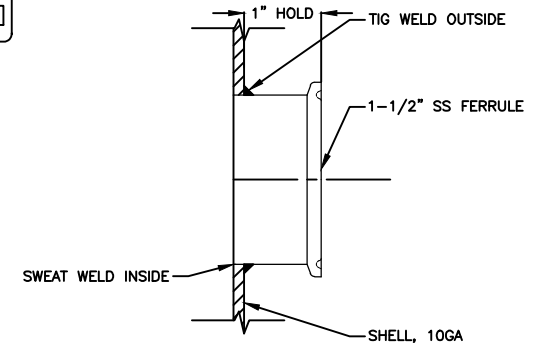
CUSTOMER DRAWING APPROVAL STATUS	
<input type="checkbox"/>	-APPROVED AS SHOWN. PROCEED WITH FABRICATION.
<input type="checkbox"/>	-APPROVED AS NOTED. REVISE DWG & PROCEED WITH FABRICATION.
<input type="checkbox"/>	-NOT APPROVED ! REVISE DWG AS MARKED & RESUBMIT DWG FOR APPROVAL.
SIGNATURE: _____	
DATE: _____	



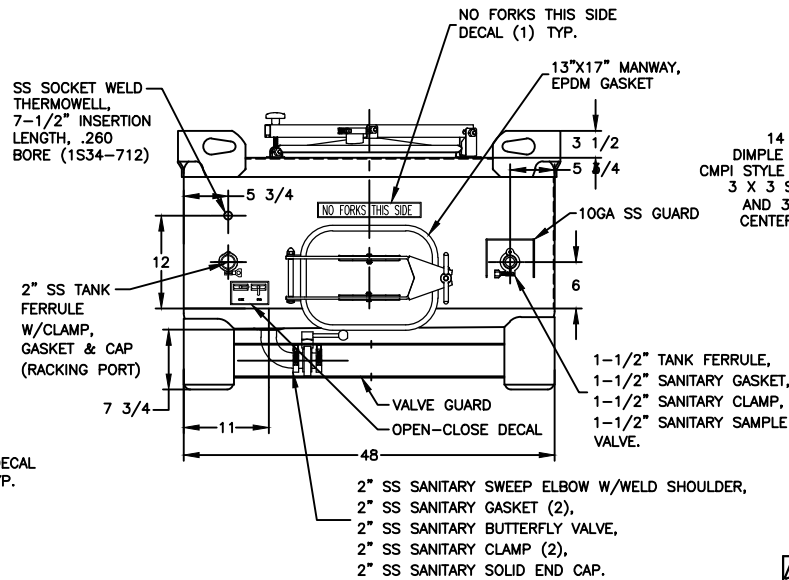
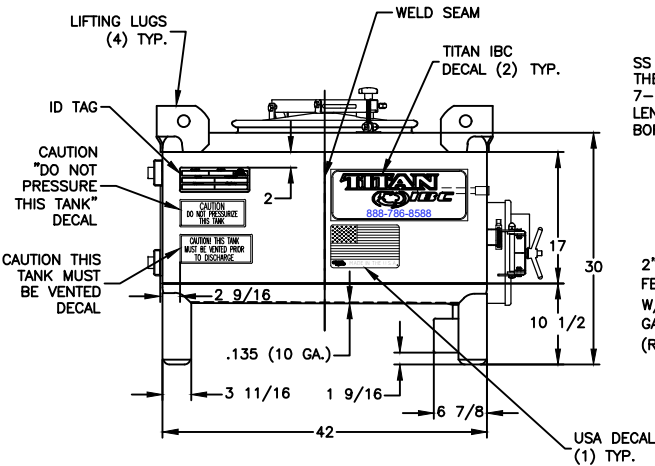
ID TAG DETAIL



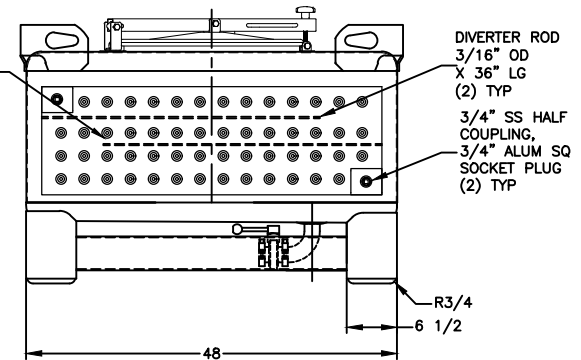
DRUM NECK DETAIL



SAMPLE VALVE FERRULE DETAIL



14 GA. SS DIMPLE JACKET CMPI STYLE 3 WITH 3 X 3 SPACING AND 3/8 DIA. CENTER HOLE.



- NOTE:
1. REMOVE ALL BURRS, SHARP EDGES AND WELD DISCOLORATION.
 2. TANK TO HAVE 2" NOMINAL RADIUS CORNERS.
 3. BOTTOM SLOPES TOWARD OUTLET FOR OPTIMUM DRAINAGE.
 4. PRODUCT CONTACT ZONE TO BE 304 SS ALLOY, 2B FINISH.
 5. TANKS WILL STACK AND TOP LIFT.
 6. TANKS TO BE LEAK PROOF TESTED TO 3PSIG.
 7. PLASTIC BAG IS TO BE PUT OVER THE TANK PRIOR TO SHIPMENT. NOT SHOWN ON DRAWING.
 8. ALL CORNERS ARE ONE PIECE SEAMLESS (BULLNOSE).
 9. INTERIOR AND EXTERIOR WELDS TO BE STRIP CLEANED.
 10. TANK INTERIOR TO BE CITRIC ACID PASSIVATED.



DESCRIPTION:
180 GAL SS NON-UN WINE TANK W/DIMPLE JACKET RACK PORT & SAMPLE VALVE

THIS DRAWING CONTAINS INFORMATION PROPRIETARY TO TITAN IBC LLC. IT IS SUBMITTED AND IS TO BE USED SOLELY FOR THE PURPOSE FOR WHICH IT IS FURNISHED AND RETURNED UPON REQUEST. THIS DRAWING AND SUCH INFORMATION IS NOT TO BE REPRODUCED, TRANSMITTED, DISCLOSED OR USED OTHERWISE IN WHOLE OR IN PART WITHOUT THE WRITTEN AUTHORIZATION OF TITAN IBC LLC.

DWG BY: RJ
DATE: 3/27/17
DRAWING NO: 110978-A
SCALE: 1:10
MAT'L: 304 SS
REVISION NO. A

REV.	DESCRIPTION	DATE	BY
A	ADD PASSIVATION	4/3/19	RJ