

22 1/2" NOM. DIA. FORMED DRUM OPENING WITH SS CONE SHAPED SANITARY DRUM LID, WHITE FDA COMPLIANT FULL WRAP LID GASKET, 2" SS SANITARY FERRULE, CLAMP, CAP, & GASKET.

**CUSTOMER DRAWING APPROVAL STATUS**

-APPROVED AS SHOWN. PROCEED WITH FABRICATION.

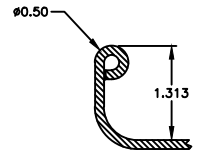
-APPROVED AS NOTED. REVISE DWG & PROCEED WITH FABRICATION.

-NOT APPROVED ! REVISE DWG AS MARKED & RESUBMIT DWG FOR APPROVAL.

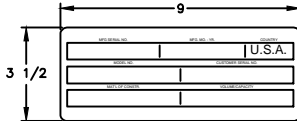
SIGNATURE: \_\_\_\_\_

DATE: \_\_\_\_\_

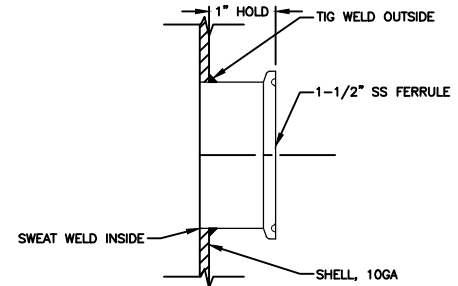
ITEM	P.N.	DESCRIPTION	QTY
------	------	-------------	-----



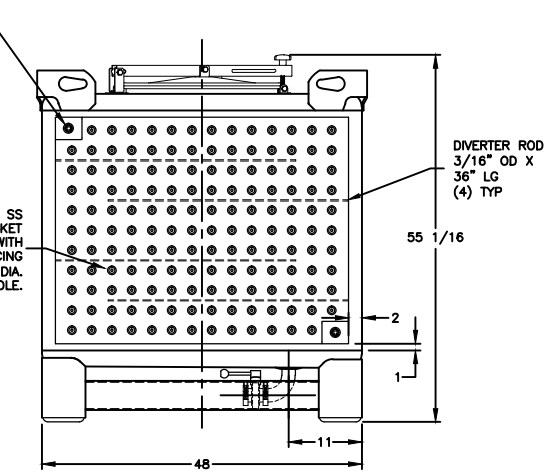
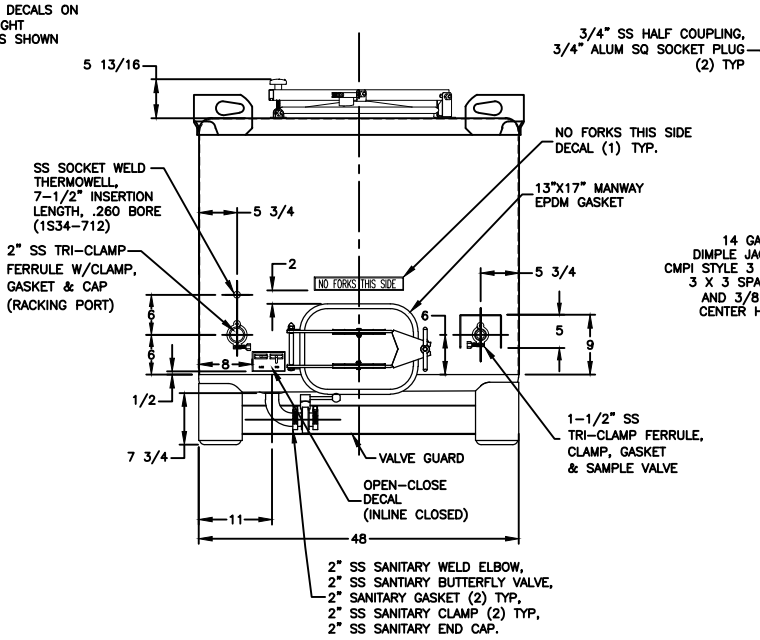
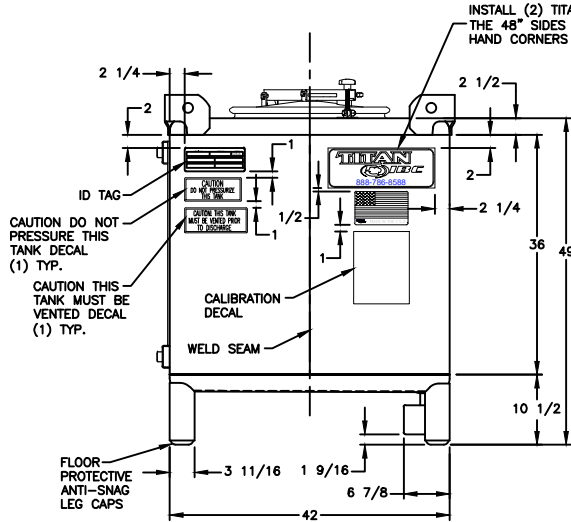
DRUM NECK DETAIL



ID TAG DETAIL



SAMPLE VALVE FERRULE DETAIL



- NOTE:
1. REMOVE ALL BURRS, SHARP EDGES AND WELD DISCOLORATION.
  2. TANK TO HAVE 2" NOMINAL RADIUS CORNERS.
  3. BOTTOM SLOPES TOWARD OUTLET FOR OPTIMUM DRAINAGE.
  4. PRODUCT CONTACT ZONE TO BE 304 SS ALLOY, 2B FINISH.
  5. TANKS WILL STACK AND TOP LIFT.
  6. TANKS TO BE LEAK PROOF TESTED TO 3PSIG.
  7. PLASTIC BAG IS TO BE PUT OVER THE TANK PRIOR TO SHIPMENT. NOT SHOWN ON DRAWING.
  8. ALL CORNERS ARE ONE PIECE SEAMLESS (BULLNOSE).
  9. INTERIOR WELDS TO BE STRIP CLEANED.
  10. INTERIOR OF THE TANK TO BE CITRIC ACID PASSIVATED.
  11. EXTERIOR WELDS TO BE STRIP CLEANED.



DESCRIPTION:  
350 GALLON 304SS  
FERMENTATION TANK  
WITH CLEAN OUT DOOR

THIS DRAWING CONTAINS INFORMATION PROPRIETARY TO TITAN IBC LLC. IT IS SUBMITTED AND IS TO BE USED SOLELY FOR THE PURPOSE FOR WHICH IT IS FURNISHED AND RETURNED UPON REQUEST. THIS DRAWING AND SUCH INFORMATION IS NOT TO BE REPRODUCED, TRANSMITTED, DISCLOSED OR USED OTHERWISE IN WHOLE OR IN PART WITHOUT THE WRITTEN AUTHORIZATION OF TITAN IBC LLC.

DWG BY: LAS	APPROVED BY:
DATE: 4/3/14	DRAWING NO: 110500
SCALE: 1:10	MAT'L: 304 SS
REVISION NO. NONE	

REV.	DESCRIPTION	DATE	BY