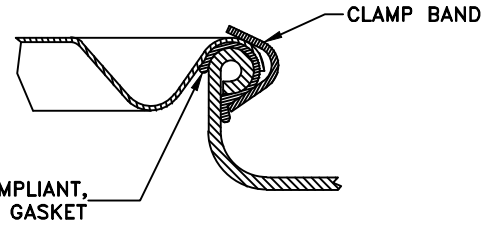


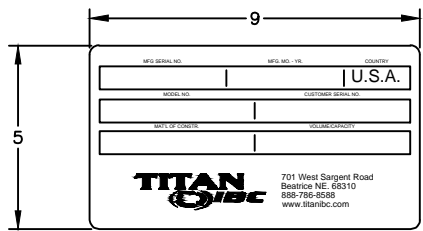
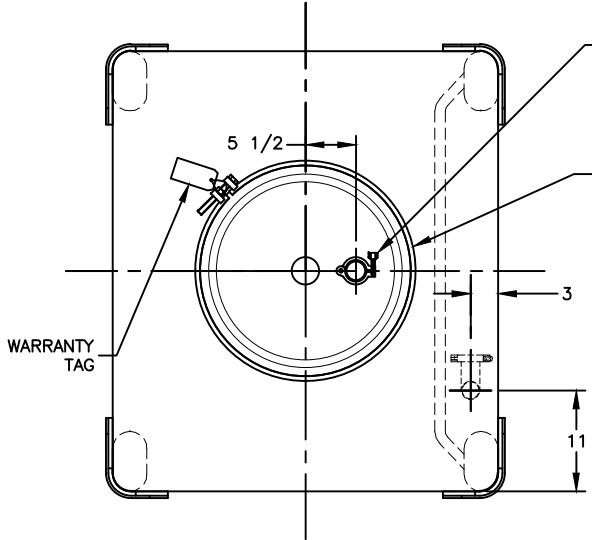
ITEM	P.N.	DESCRIPTION	QTY
------	------	-------------	-----

2" SS SANITARY TANK FERRULE,  
 2" SANITARY GASKET,  
 2" SS SANITARY CAP,  
 2" SS SANITARY CLAMP.

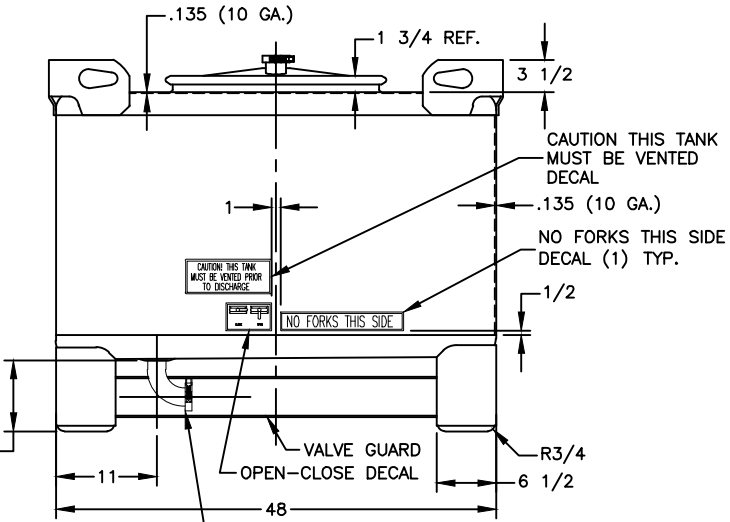
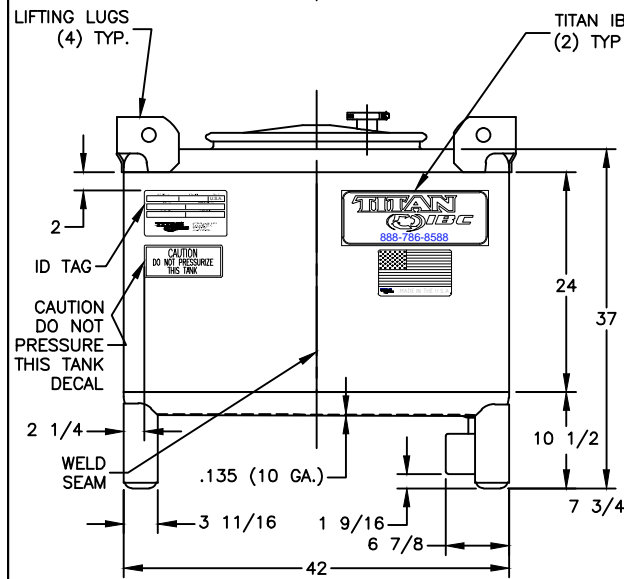
22 1/2" NOM. DIA. FORMED DRUM OPENING WITH SS  
 CONE-SHAPED SANITARY DRUM LID WITH SANITARY FITTINGS,  
 WHITE, FDA COMPLIANT, LID GASKET,  
 PLATED STEEL CLAMP RING WITH 5/8"-NC PLATED  
 STEEL BOLT AND 5/8" PLATED STEEL LOCK NUT.



DRUM NECK  
SECTION



ID TAG DETAIL



2" SS SANITARY SWEEP ELBOW  
 W/WELD SHOULDER,  
 2" SS SANITARY END CAP,  
 2" SANITARY GASKET,  
 2" SS SANITARY CLAMP.

- NOTE:
1. REMOVE ALL BURRS, SHARP EDGES AND WELD DISCOLORATION.
  2. TANK TO HAVE 2" NOMINAL RADIUS CORNERS.
  3. BOTTOM SLOPES TOWARD OUTLET FOR OPTIMUM DRAINAGE.
  4. PRODUCT CONTACT ZONE TO BE 304 SS ALLOY, 2B FINISH.
  5. TANKS WILL STACK AND TOP LIFT.
  6. TANKS TO BE LEAK PROOF TESTED TO 3PSIG.
  7. PLASTIC BAG IS TO BE PUT OVER THE TANK PRIOR TO SHIPMENT. NOT SHOWN ON DRAWING.
  8. ALL CORNERS ARE ONE PIECE SEAMLESS (BULLNOSE).
  9. INTERIOR WELDS TO BE STRIP CLEANED.
  10. EXTERIOR WELDS TO BE STRIP CLEANED.

**CUSTOMER DRAWING APPROVAL STATUS**

-APPROVED AS SHOWN. PROCEED WITH FABRICATION.

-APPROVED AS NOTED. REVISE DWG & PROCEED WITH FABRICATION.

-NOT APPROVED ! REVISE DWG AS MARKED & RESUBMIT DWG FOR APPROVAL.

SIGNATURE: \_\_\_\_\_

DATE: \_\_\_\_\_

**TITAN IBC**

701 WEST SARGENT RD.  
 BEATRICE, NE 68310  
 Ph 888-786-8588 Fax 402-228-0313

DESCRIPTION:  
 250 GAL SS NON-UN  
 BASE WINE TANK

THIS DRAWING CONTAINS INFORMATION PROPRIETARY TO TITAN IBC LLC. IT IS SUBMITTED AND IS TO BE USED SOLELY FOR THE PURPOSE FOR WHICH IT IS FURNISHED AND RETURNED UPON REQUEST. THIS DRAWING AND SUCH INFORMATION IS NOT TO BE REPRODUCED, TRANSMITTED, DISCLOSED OR USED OTHERWISE IN WHOLE OR IN PART WITHOUT THE WRITTEN AUTHORIZATION OF TITAN IBC LLC.

DWG BY: LAS	APPROVED BY:
DATE: 4/2/14	DRAWING NO: 110496
SCALE: 1:10	MAT'L: 304 SS
	REVISION NO. NONE

REV.	DESCRIPTION	DATE	BY
------	-------------	------	----