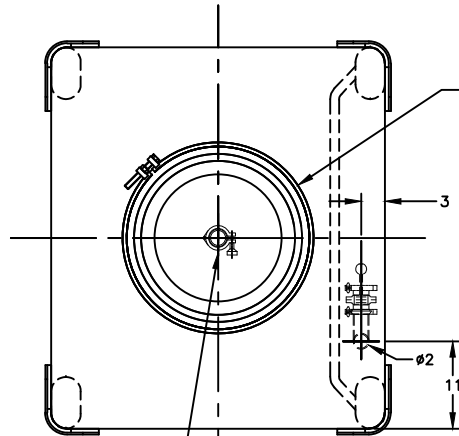
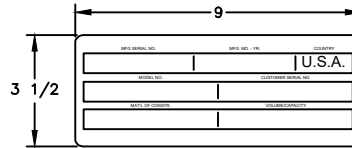


ITEM	P.N.	DESCRIPTION	QTY
------	------	-------------	-----



22 1/2" NOM. DIA. FORMED DRUM OPENING WITH SS SANITARY CONE-SHAPED DRUM LID, WHITE FDA COMPLIANT LID GASKET, PLATED STEEL CLAMP RING WITH 5/8"-NC PLATED STEEL BOLT AND 5/8" PLATED STEEL LOCK NUT.



ID TAG DETAIL

CUSTOMER DRAWING APPROVAL STATUS

-APPROVED AS SHOWN. PROCEED WITH FABRICATION.

-APPROVED AS NOTED. REVISE DWG & PROCEED WITH FABRICATION.

-NOT APPROVED ! REVISE DWG AS MARKED & RESUBMIT DWG FOR APPROVAL.

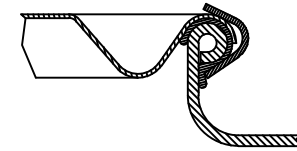
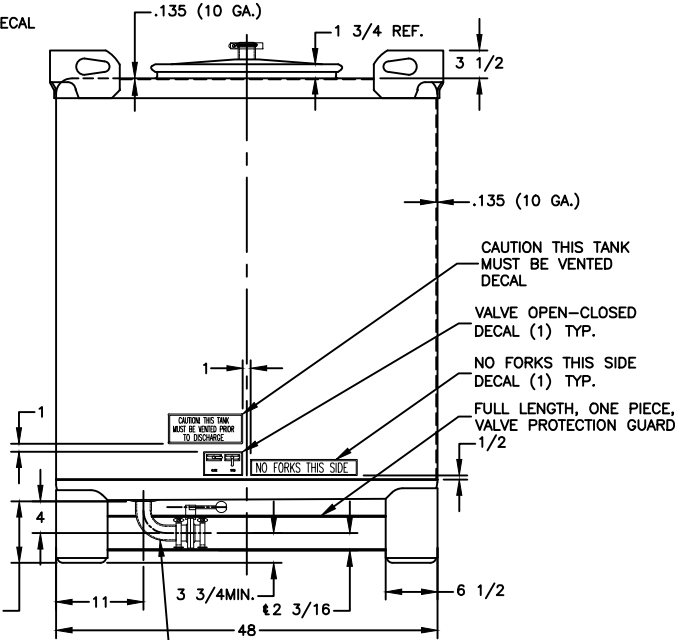
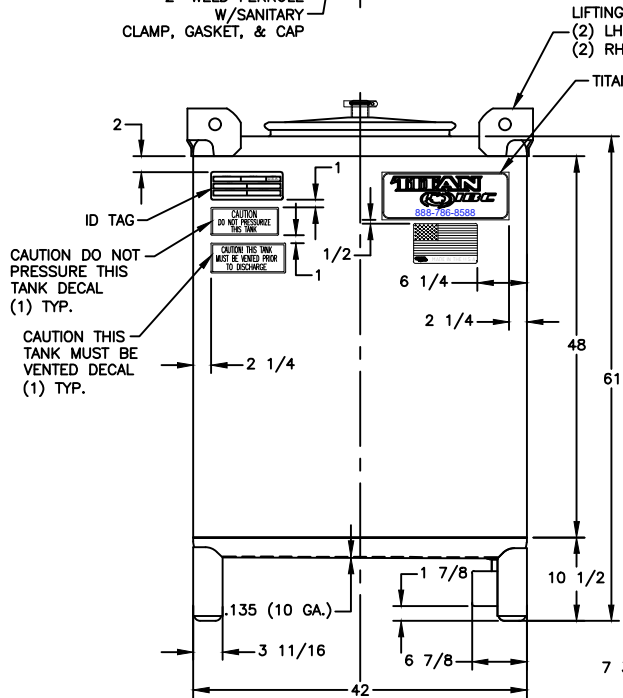
SIGNATURE: _____

DATE: _____

2" WELD FERRULE W/SANITARY CLAMP, GASKET, & CAP

LIFTING LUGS, (2) LH & (2) RH TYP.

TITAN DECAL



DRUM NECK SECTION

NOTE:

1. REMOVE ALL BURRS, SHARP EDGES AND WELD DISCOLORATION.
2. TANK TO HAVE 2" NOMINAL RADIUS CORNERS.
3. BOTTOM SLOPES TOWARD OUTLET FOR OPTIMUM DRAINAGE.
4. PRODUCT CONTACT AREAS TO BE 304 SS UNLESS NOTED OTHERWISE.
5. TANKS WILL STACK AND TOP LIFT.
6. TANKS TO BE LEAKPROOF TESTED TO 3PSIG.

- 2" SS 90 DEG SANITARY WELD ELBOW (1), 2" WHITE FOOD GRADE GASKETS (2), 2" SS SANITARY BUTTERFLY VALVE (1), 2" SS SANITARY CAP (1) & 2" SS SANITARY CLAMPS (2)



DESCRIPTION: 450 GALLON SS NON-UN SANITARY IBC 42"X48" BASE

THIS DRAWING CONTAINS INFORMATION PROPRIETARY TO TITAN IBC LLC. IT IS SUBMITTED AND IS TO BE USED SOLELY FOR THE PURPOSE FOR WHICH IT IS FURNISHED AND RETURNED UPON REQUEST. THIS DRAWING AND SUCH INFORMATION IS NOT TO BE REPRODUCED, TRANSMITTED, DISCLOSED OR USED OTHERWISE IN WHOLE OR IN PART WITHOUT THE WRITTEN AUTHORIZATION OF TITAN IBC LLC.

DWG BY: LAS DRAWING NO: 110287-A
DATE: 05/20/13
SCALE: 1:10 MAT'L: 304 SS REVISION NO. A

(A)	CHANGE TO CONE LID	10/20/17	RJ
REV.	DESCRIPTION	DATE	BY