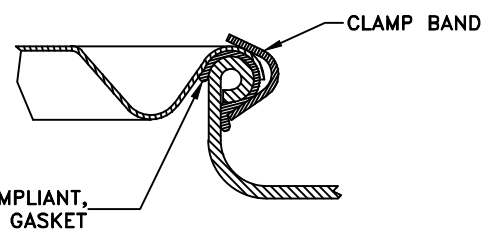


ITEM	P.N.	DESCRIPTION	QTY
------	------	-------------	-----

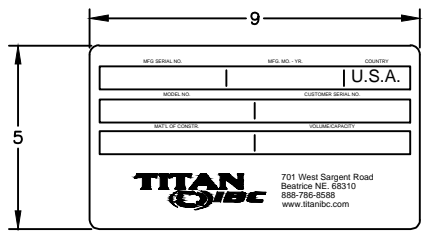
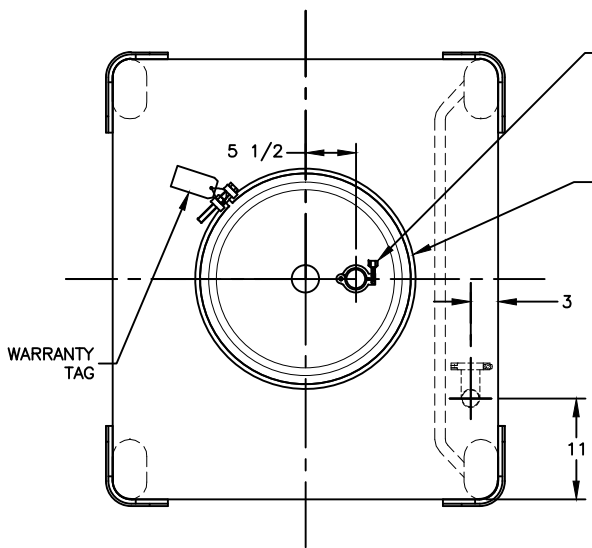
2" SS SANITARY TANK FERRULE,  
2" SANITARY GASKET,  
2" SS SANITARY CAP,  
2" SS SANITARY CLAMP.

22 1/2" NOM. DIA. FORMED DRUM OPENING WITH SS  
CONE-SHAPED SANITARY DRUM LID WITH SANITARY FITTINGS,  
WHITE, FDA COMPLIANT, LID GASKET,  
PLATED STEEL CLAMP RING WITH 5/8"-NC PLATED  
STEEL BOLT AND 5/8" PLATED STEEL LOCK NUT.

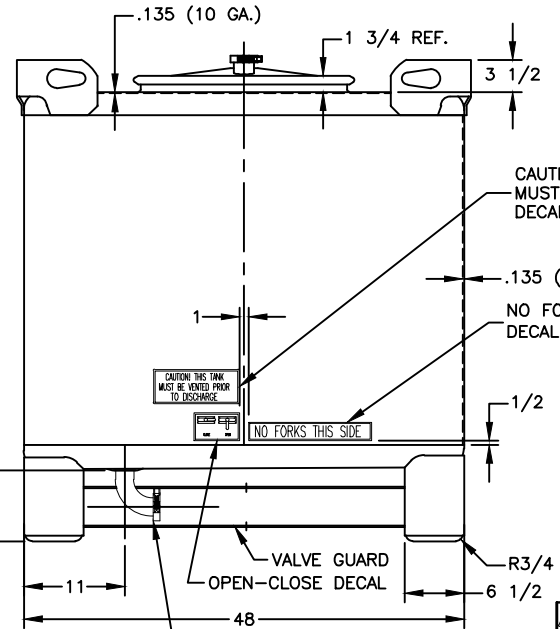
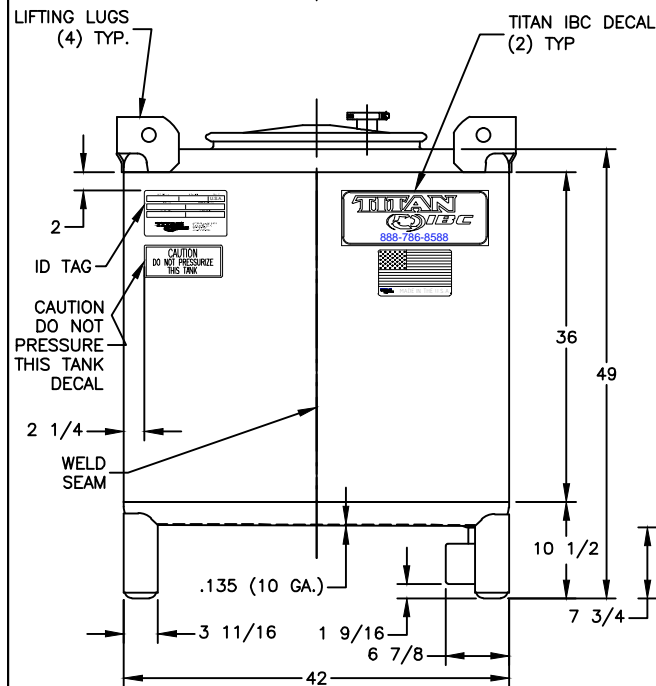


DRUM NECK SECTION

WHITE, FDA COMPLIANT,  
GASKET



ID TAG DETAIL



CAUTION THIS TANK  
MUST BE VENTED  
DECAL

NO FORKS THIS SIDE  
DECAL (1) TYP.

CAUTION THIS TANK  
MUST BE VENTED PRIOR  
TO DISCHARGE

NO FORKS THIS SIDE

VALVE GUARD  
OPEN-CLOSE DECAL

2" SS SANITARY SWEEP ELBOW  
W/WELD SHOULDER,  
2" SS SANITARY END CAP,  
2" SANITARY GASKET,  
2" SS SANITARY CLAMP.

CUSTOMER DRAWING APPROVAL STATUS	
<input type="checkbox"/>	-APPROVED AS SHOWN. PROCEED WITH FABRICATION.
<input type="checkbox"/>	-APPROVED AS NOTED. REVISE DWG & PROCEED WITH FABRICATION.
<input type="checkbox"/>	-NOT APPROVED ! REVISE DWG AS MARKED & RESUBMIT DWG FOR APPROVAL.
SIGNATURE:	
DATE:	

- NOTE:
1. REMOVE ALL BURRS, SHARP EDGES AND WELD DISCOLORATION.
  2. TANK TO HAVE 2" NOMINAL RADIUS CORNERS.
  3. BOTTOM SLOPES TOWARD OUTLET FOR OPTIMUM DRAINAGE.
  4. PRODUCT CONTACT ZONE TO BE 304 SS ALLOY, 2B FINISH.
  5. TANKS WILL STACK AND TOP LIFT.
  6. TANKS TO BE LEAK PROOF TESTED TO 3PSIG.
  7. PLASTIC BAG IS TO BE PUT OVER THE TANK PRIOR TO SHIPMENT. NOT SHOWN ON DRAWING.
  8. ALL CORNERS ARE ONE PIECE SEAMLESS (BULLNOSE).
  9. INTERIOR WELDS TO BE STRIP CLEANED.
  10. EXTERIOR WELDS TO BE STRIP CLEANED.

REV.	DESCRIPTION	DATE	BY
------	-------------	------	----

701 WEST SARGENT RD.  
BEATRICE, NE 68310  
Ph 888-786-8588 Fax 402-228-0313

THIS DRAWING CONTAINS INFORMATION PROPRIETARY TO TITAN IBC LLC. IT IS SUBMITTED AND IS TO BE USED SOLELY FOR THE PURPOSE FOR WHICH IT IS FURNISHED AND RETURNED UPON REQUEST. THIS DRAWING AND SUCH INFORMATION IS NOT TO BE REPRODUCED, TRANSMITTED, DISCLOSED OR USED OTHERWISE IN WHOLE OR IN PART WITHOUT THE WRITTEN AUTHORIZATION OF TITAN IBC LLC.

DESCRIPTION: 350 GAL SS NON-UN BASE WINE TANK			
DWG BY: LAS	APPROVED BY:		
DATE: 4/2/14	DRAWING NO: 110497		
SCALE: 1:10	MAT'L: 304 SS	REVISION NO. NONE	