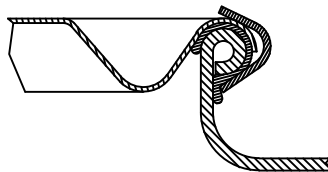
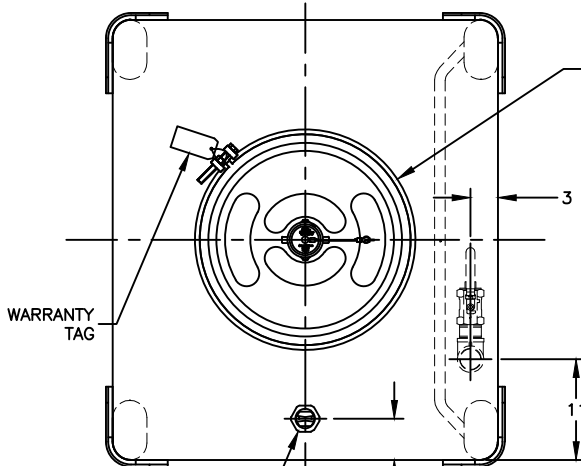


ITEM	P.N.	DESCRIPTION	QTY
------	------	-------------	-----

22 1/2" NOM. DIA. FORMED DRUM OPENING WITH SS DRUM LID, EPDM MULTISEAL LID GASKET, 3" SS FUSIBLE CAP W/TEFLON GASKET AND LANYARD. PLATED STEEL CLAMP RING WITH 5/8"-NC PLATED STEEL BOLT AND 5/8" PLATED STEEL LOCK NUT.



DRUM NECK SECTION

CUSTOMER DRAWING APPROVAL STATUS

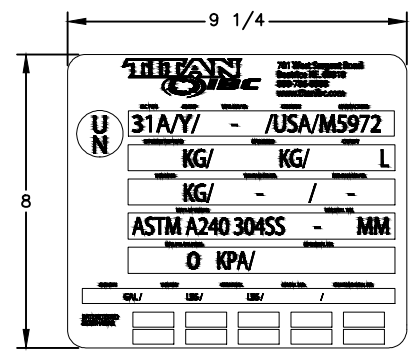
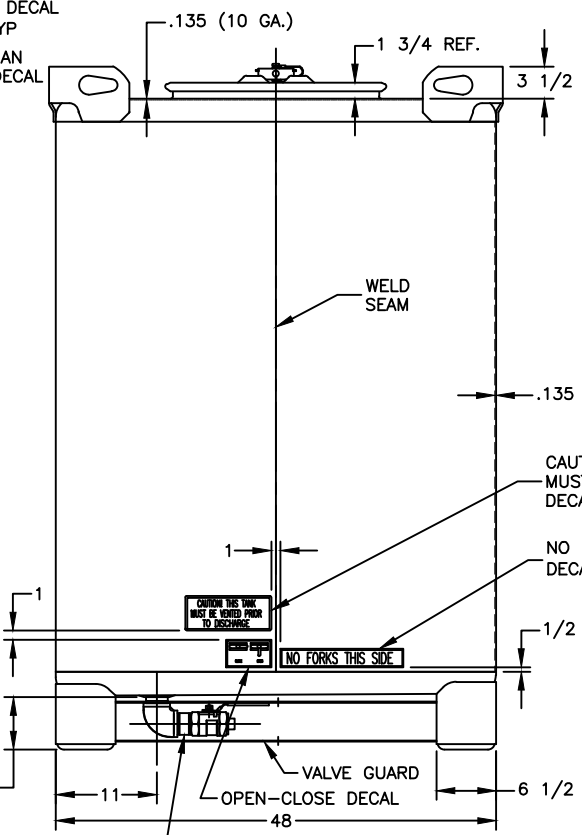
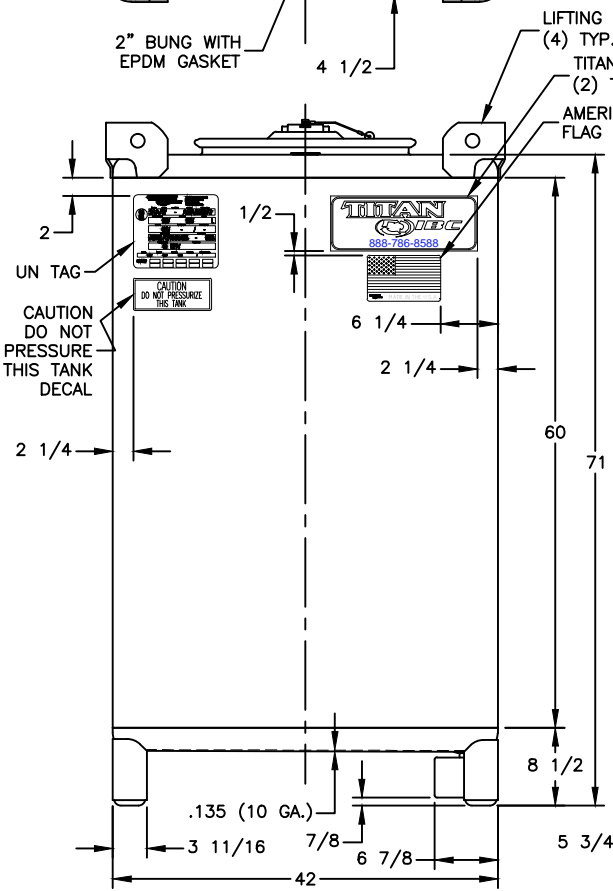
-APPROVED AS SHOWN. PROCEED WITH FABRICATION.

-APPROVED AS NOTED. REVISE DWG & PROCEED WITH FABRICATION.

-NOT APPROVED ! REVISE DWG AS MARKED & RESUBMIT DWG FOR APPROVAL.

SIGNATURE: _____

DATE: _____



UN TAG DETAIL

- NOTE:
1. REMOVE ALL BURRS, SHARP EDGES AND WELD DISCOLORATION.
 2. TANK TO HAVE 2" NOMINAL RADIUS CORNERS.
 3. BOTTOM SLOPES TOWARD OUTLET FOR OPTIMUM DRAINAGE.
 4. PRODUCT CONTACT ZONE TO BE 304 SS OR EQUAL.
 5. TANKS WILL STACK AND TOP LIFT.
 6. TANKS TO BE TESTED AND TAGGED TO MEET IBC UN 31A/Y SPECIFICATIONS.

TITAN IBC

701 WEST SARGENT RD.
BEATRICE, NE 68310
Ph 888-786-8588 Fax 402-228-0313

DESCRIPTION:
550 GALLON SS IBC
42"X48" BASE

THIS DRAWING CONTAINS INFORMATION PROPRIETARY TO TITAN IBC LLC. IT IS SUBMITTED AND IS TO BE USED SOLELY FOR THE PURPOSE FOR WHICH IT IS FURNISHED AND RETURNED UPON REQUEST. THIS DRAWING AND SUCH INFORMATION IS NOT TO BE REPRODUCED, TRANSMITTED, DISCLOSED OR USED OTHERWISE IN WHOLE OR IN PART WITHOUT THE WRITTEN AUTHORIZATION OF TITAN IBC LLC.

DWG BY: DLW	APPROVED BY:
DATE: 07-28-09	DRAWING NO: 110002
SCALE: 1:10	MAT'L: 304 SS
	REVISION No. NONE

REV.	DESCRIPTION	DATE	BY
------	-------------	------	----